

ITM2-48

ISLAND TAKEOUT MERCHANDISER



• Freestanding, self-service merchandiser designed to provide quality hot packaged foods with minimum labor costs.

- Lighted display maximizes visual merchandising — promotes impulse sales.
- Heat source radiates from the base and the upper canopy with adjustable temperature settings.
- Concealed power and temperature switches are easily accessible to the operator.
- Angled canopy on two sides adds to the clean streamlined look.
- Bumpers on two sides of the unit provide extra protection against damage from shopping carts.

ITM2-48 (Standard)

20 gauge stainless steel island base features bumpers on two sides, comes standard with two (2) black painted side panels and two (2) black painted adjustable shelves. An easy to clean hard coat anodized heat plate is surrounded by 2-1/2" (64mm) removable heat guards. The overhead canopy is supported by two (2) side supports, enclosing six (6) flood lamps and is surrounded by four (4) removable tinted lexan heat guards. Two (2) toggle switches located beneath the canopy control the power (ON/OFF) and the heat plate temperature (LOW/MEDIUM/HIGH). The base is furnished with four (4) 5" (127mm) casters, 2 rigid, and 2 swivel with brake.

MODEL ITM2-48/CT: Countertop Island Take-out Merchandiser, 48" wide

MODEL ITM2-48: Floor Standing Island Take-out Merchandiser, 48" wide



ANSI/NSF 4



FACTORY INSTALLED OPTIONS

- Electrical Choices
 - Specify Voltage:
 - 120V
 - 230V
- System Decorator Base (floor standing)
 - Specify model:
 - Standard - includes stainless steel base, black side panels, and two (2) black adjustable shelves.
 - Deluxe - features black formica end panels and black painted canopy, four (4) wooden adjustable shelves and two (2) removable wooden side baskets.
- Panel Color Choices
 - Specify color:
 - Black, standard
 - Stainless Steel, optional
 - Custom Color, optional
- Full Side Guards, Lexan

Архангельск (8182)63-90-72
Астана (7172)727-132
Астрахань (8512)99-46-04
Барнаул (3852)73-04-60
Белгород (4722)40-23-64
Брянск (4832)59-03-52
Владивосток (423)249-28-31
Волгоград (844)278-03-48
Вологда (8172)26-41-59
Воронеж (473)204-51-73
Екатеринбург (343)384-55-89
Иваново (4932)77-34-06

Ижевск (3412)26-03-58
Иркутск (395)279-98-46
Казань (843)206-01-48
Калининград (4012)72-03-81
Калуга (4842)92-23-67
Кемерово (3842)65-04-62
Киров (8332)68-02-04
Краснодар (861)203-40-90
Красноярск (391)204-63-61
Курск (4712)77-13-04
Липецк (4742)52-20-81
Киргизия (996)312-96-26-47

Магнитогорск (3519)55-03-13
Москва (495)268-04-70
Мурманск (8152)59-64-93
Набережные Челны (8552)20-53-41
Нижний Новгород (831)429-08-12
Новокузнецк (3843)20-46-81
Новосибирск (383)227-86-73
Омск (3812)21-46-40
Орел (4862)44-53-42
Оренбург (3532)37-68-04
Пenza (8412)22-31-16
Казахстан (772)734-952-31

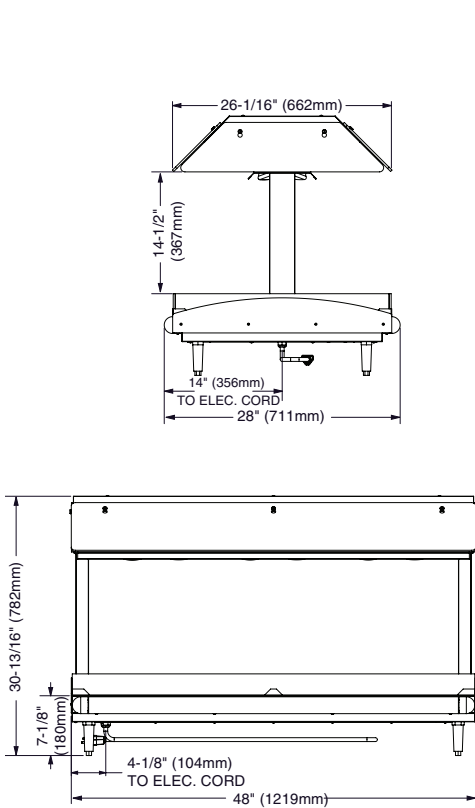
Пермь (342)205-81-47
Ростов-на-Дону (863)308-18-15
Рязань (4912)46-61-64
Самара (846)206-03-16
Санкт-Петербург (812)309-46-40
Саратов (845)249-38-78
Севастополь (8692)22-31-93
Симферополь (3652)67-13-56
Смоленск (4812)29-41-54
Сочи (862)225-72-31
Ставрополь (8652)20-65-13
Таджикистан (992)427-82-92-69

Сургут (3462)77-98-35
Тверь (4822)63-31-35
Томск (3822)98-41-53
Тула (4872)74-02-29
Тюмень (3452)66-21-18
Ульяновск (8422)24-23-59
Уфа (347)229-48-12
Хабаровск (4212)92-98-04
Челябинск (351)202-03-61
Череповец (8202)49-02-64
Ярославль (4852)69-52-93

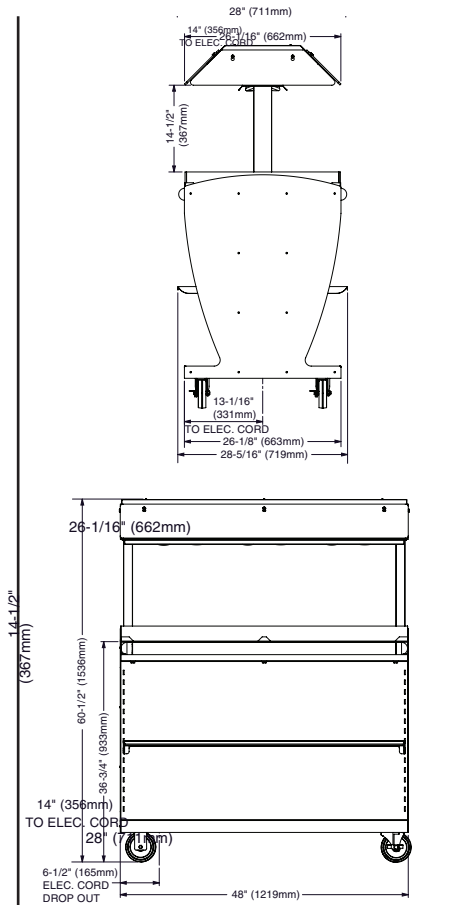


ITM2-48

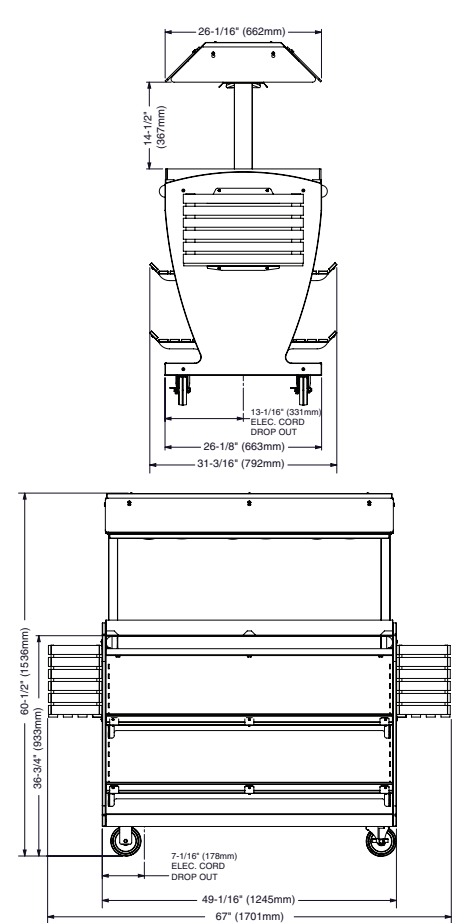
ISLAND TAKEOUT MERCHANDISER



ITM2-48/CT



ITM2-48 (Standard)



ITM2-48 (Deluxe)

WEIGHT	ITM2-48/CT		ITM2-48 (Std.)	ITM2-48 (Dlx.)
	NET:	CONTACT FACTORY	255 lb (116 kg)	285 lb (125 kg)
	SHIP:	CONTACT FACTORY	389 lb (176 kg)	425 lb (193 kg)
CRATE DIMENSIONS: (L x W x H)				
60" x 38" x 68"				
(1524mm x 965mm x 1727mm)				
DIMENSIONS: H x W x D				
ITM2-48/CT EXTERIOR:				
30-13/16" x 48" x 28-5/16" (782mm x 1219mm x 719mm)				
ITM2-48 (STANDARD) EXTERIOR:				
60-1/2" x 48" x 28-5/16" (1536mm x 1219mm x 719mm)				
ITM2-48 (DELUXE) EXTERIOR:				
60-1/2" x 67" x 31-3/16" (1536mm x 1701mm x 792mm)				
SURFACE DIMENSIONS: (L x W)				
42-3/4" x 19-15/16" (1086mm x 505mm)				

INSTALLATION REQUIREMENTS

Unit must be installed level, and must not be installed in any area where it may be affected by steam, grease, dripping water, high temperatures, or any other severely adverse conditions.

ITM2-48 ELECTRICAL

VOLTAGE	PHASE	CYCLE/HZ	AMPS	kw	PLUG CONFIGURATION
120	1	50/60	11	1.3	NEMA 5-15P 15A - 125V PLUG
230	1	50/60	6.8	1.7	CORD, NO PLUG

CLEARANCE REQUIREMENTS

NO CLEARANCE REQUIRED

HEATED PRODUCT CAPACITY*

36 lb (16 kg) MAXIMUM
 Twelve (12) chicken boats with dome cover
 DOME PACKAGE SIZE: APPROX. 7" x 10" (178mm x 254mm)

*FOR USE WITH PRE-PACKAGED ITEMS ONLY

- | | | | | |
|------------------------------------|-----------------------------------|--|---------------------------------------|---------------------------------|
| Архангельск (8182)63-90-72 | Ижевск (3412)26-03-58 | Магнитогорск (3519)55-03-13 | Пермь (342)205-81-47 | Сургут (3462)77-98-35 |
| Астана (7172)727-132 | Иркутск (395)279-98-46 | Москва (495)268-04-70 | Ростов-на-Дону (863)308-18-15 | Тверь (4822)63-31-35 |
| Астрахань (8512)99-46-04 | Казань (843)206-01-48 | Мурманск (8152)59-64-93 | Рязань (4912)46-61-64 | Томск (3822)98-41-53 |
| Барнаул (3852)73-04-60 | Калининград (4012)72-03-81 | Набережные Челны (8552)20-53-41 | Самара (846)206-03-16 | Тула (4872)74-02-29 |
| Белгород (4722)40-23-64 | Калуга (4842)92-23-67 | Нижний Новгород (831)429-08-12 | Санкт-Петербург (812)309-46-40 | Тюмень (3452)66-21-18 |
| Брянск (4832)59-03-52 | Кемерово (3842)65-04-62 | Новокузнецк (3843)20-46-81 | Саратов (845)249-38-78 | Ульяновск (8422)24-23-59 |
| Владивосток (423)249-28-31 | Киров (8332)68-02-04 | Новосибирск (383)227-86-73 | Севастополь (8692)22-31-93 | Уфа (347)229-48-12 |
| Волгоград (844)278-03-48 | Краснодар (861)203-40-90 | Омск (3812)21-46-40 | Симферополь (3652)67-13-56 | Хабаровск (4212)92-98-04 |
| Вологда (8172)26-41-59 | Красноярск (391)204-63-61 | Орел (4862)44-53-42 | Смоленск (4812)29-41-54 | Челябинск (351)202-03-61 |
| Воронеж (473)204-51-73 | Курск (4712)77-13-04 | Оренбург (3532)37-68-04 | Сочи (862)225-72-31 | Череповец (8202)49-02-64 |
| Екатеринбург (343)384-55-89 | Липецк (4742)52-20-81 | Пенза (8412)22-31-16 | Ставрополь (8652)20-65-13 | Ярославль (4852)69-52-93 |
| Иваново (4932)77-34-06 | Киргизия (996)312-96-26-47 | Казахстан (772)734-952-31 | Таджикистан (992)427-82-92-69 | |