

500-2DI

Drawer Warmer



• Halo Heat . . . a controlled, uniform heat source that gently surrounds foods for better appearance, taste, and longer holding life.

- Product moisture is retained without adding water.
- Digital control senses temperature drops faster, providing quick heat recovery time.
- Can be built into cabinets or counters. Built-in trim kits are available.
- Stackable design.

Short Form Spec

Alto-Shaam drawer warmer is constructed with a non-magnetic stainless steel exterior and removable stainless steel drawer rail supports. Each drawer includes one (1) full-size (GN 1/1) 12" x 20" x 6" (305mm x 508mm x 152mm) stainless steel pan. The warmer has one main On/Off switch, and individual controls for each drawer. The controls each have an up and down arrow button with a temperature range of 60°F to 200°F (16°C to 93°C); a heat indicator light; a temperature display button, and a digital display.

- Model 500-2DI:** Two drawer warmer with individual controls

Factory Installed Options

- Electrical Choices
 - 120V
 - 208-240V
 - 230V
- Drawer Choices (order per drawer)
 - Non-Vented, Standard
 - Vented, Optional
- Pan Choices - One (1) per drawer supplied
 - Full-size (GN 1/1), Standard (PN-25088)
12" x 20" x 6" (305mm x 508mm x 152mm)
 - or -
 - Oversize, Optional (PN-2123)
15" x 20" x 5" (381mm x 508mm x 127mm)

Additional Features

- Stack units without additional hardware
- Individual or stacked units can be mounted on:
 - 3" (76mm) Casters and Caster Stand Assembly
 - 5" (127mm) Casters and Caster Stand Assembly
 - 6" (152mm) Leg Stand Assembly



ANSI/NSF 4



IP X3

Архангельск (8182)63-90-72
Астана (7172)727-132
Астрахань (8512)99-46-04
Барнаул (3852)73-04-60
Белгород (4722)40-23-64
Брянск (4832)59-03-52
Владивосток (423)249-28-31
Волгоград (844)278-03-48
Вологда (8172)26-41-59
Воронеж (473)204-51-73
Екатеринбург (343)384-55-89
Иваново (4932)77-34-06

Ижевск (3412)26-03-58
Иркутск (395)279-98-46
Казань (843)206-01-48
Калининград (4012)72-03-81
Калуга (4842)92-23-67
Кемерово (3842)65-04-62
Киров (8332)68-02-04
Краснодар (861)203-40-90
Красноярск (391)204-63-61
Курск (4712)77-13-04
Липецк (4742)52-20-81
Киргизия (996)312-96-26-47

Магнитогорск (3519)55-03-13
Москва (495)268-04-70
Мурманск (8152)59-64-93
Набережные Челны (8552)20-53-41
Нижний Новгород (831)429-08-12
Новокузнецк (3843)20-46-81
Новосибирск (383)227-86-73
Омск (3812)21-46-40
Орел (4862)44-53-42
Оренбург (3532)37-68-04
Пенза (8412)22-31-16
Казахстан (772)734-952-31

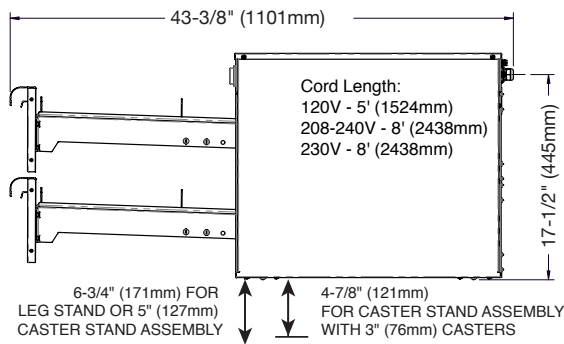
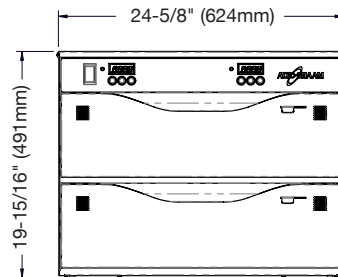
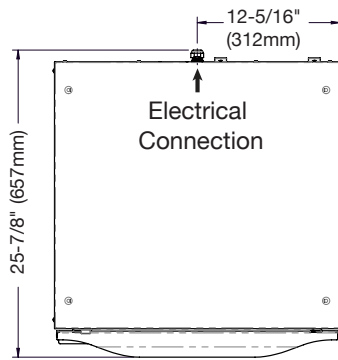
Пермь (342)205-81-47
Ростов-на-Дону (863)308-18-15
Рязань (4912)46-61-64
Самара (846)206-03-16
Санкт-Петербург (812)309-46-40
Саратов (845)249-38-78
Севастополь (8692)22-31-93
Симферополь (3652)67-13-56
Смоленск (4812)29-41-54
Сочи (862)225-72-31
Ставрополь (8652)20-65-13
Таджикистан (992)427-82-92-69

Сургут (3462)77-98-35
Тверь (4822)63-31-35
Томск (3822)98-41-53
Тула (4872)74-02-29
Тюмень (3452)66-21-18
Ульяновск (8422)24-23-59
Уфа (347)229-48-12
Хабаровск (4212)92-98-04
Челябинск (351)202-03-61
Череповец (8202)49-02-64
Ярославль (4852)69-52-93

<https://altoshaam.nt-rt.ru/> || ama@nt-rt.ru

500-2DI

Drawer Warmer



Dimensions H x W x D

Exterior:

19-15/16" x 24-5/8" x 25-7/8" (491mm x 624mm x 657mm)

Cut out dimensions: (for units with built-in trim)

Add 3/4" (19mm) to unit height and 1-1/2" (38mm) to unit width

Electrical

V	Ph	Hz	A	kW		
120	1	60	10.7	1.28		NEMA 5-15P 15A, 125V plug
208-240	1	60	5.3	9.6-1.28		NEMA 6-15P 15A, 250V plug
230	1	50/60	5.1	1.18		Plugs rated 250V
						CEE 7/7 CH2-16P
						BS 1363
						AS/NZS 3112

Product Capacity - per drawer

Full-size Pan (GN 1/1):

12" x 20" x 6" (305mm x 508mm x 152mm)
36 lbs (16 kg) maximum

Oversize Pan:

15" x 20" x 5" (381mm x 508mm x 127mm)
41 lbs (19 kg) maximum

Weight (Est.)

Net: 115 lb (52 kg)

Ship: 125 lb (57 kg)

Carton dimensions: (L x W x H)

30" x 27" x 23" (762mm x 686mm x 584mm)

Installation Requirements

Drawer warmer must be installed level, and must not be installed in any area where it may be affected by steam, grease, dripping water, high temperatures, or any other severely adverse conditions.

Clearance Requirement (for ventilation)

Minimum: 3" (76mm) at the back, 2" (51mm) at the top, and 1" (25mm) at both sides. On-site venting for proper airflow must also be provided for built-in counter installations.

Accessories

<input type="checkbox"/> Built-in Trim Kit	5015149	<input type="checkbox"/> Leg Stand Assembly	15380
Caster Stand Assembly		Perforated Pan Grid	
<input type="checkbox"/> with 5" (127mm) casters	15379	<input type="checkbox"/> 15" x 20" (381mm x 508mm)	1231
<input type="checkbox"/> with 3" (76mm) casters	5010920	<input type="checkbox"/> 12" x 20" (305mm x 508mm)	16642

Архангельск (8182)63-90-72
Астана (7172)727-132
Астрахань (8512)99-46-04
Барнаул (3852)73-04-60
Белгород (4722)04-23-64
Брянск (4832)59-03-52
Владивосток (423)249-28-31
Волгоград (844)278-03-48
Вологда (8172)26-41-59
Воронеж (473)204-51-73
Екатеринбург (343)384-55-89
Иваново (4932)77-34-06

Ижевск (3412)26-03-58
Иркутск (395)279-98-46
Казань (843)206-01-48
Калининград (4012)72-03-81
Калуга (4842)92-23-67
Кемерово (3842)65-04-62
Киров (8332)68-02-04
Краснодар (861)203-40-90
Красноярск (391)204-63-61
Курск (4712)77-13-04
Липецк (4742)52-20-81
Киргизия (996)312-96-26-47

Магнитогорск (3519)55-03-13
Москва (495)268-04-70
Мурманск (8152)59-64-93
Набережные Челны (8552)20-53-41
Новокузнецк (3843)20-46-81
Новосибирск (383)227-86-73
Омск (3812)21-46-40
Орел (4862)44-53-42
Оренбург (3532)37-68-04
Пенза (8412)22-31-16
Казахстан (772)734-952-31

Пермь (342)205-81-47
Ростов-на-Дону (863)308-18-15
Рязань (4912)46-61-64
Самара (846)206-03-16
Санкт-Петербург (812)309-46-40
Саратов (845)249-38-78
Севастополь (8692)22-31-93
Симферополь (3652)67-13-56
Смоленск (4812)29-41-54
Сочи (862)225-72-31
Ставрополь (8652)20-65-13
Таджикистан (992)427-82-69

Сургут (3462)77-98-35
Тверь (4822)63-31-35
Томск (3822)98-41-53
Тула (4872)74-02-29
Тюмень (3452)66-21-18
Ульяновск (8422)24-23-59
Уфа (347)229-48-12
Хабаровск (4212)92-98-04
Челябинск (351)202-03-61
Череповец (8202)49-02-64
Ярославль (4852)69-52-93